

Buy Now at New England Laser & Transit Click to Purchase



L/R

Press the key, horizontal angle option.

HOLD

Press the key twice, hold the horizontal angle.

OSET

Press the key twice, horizontal angle 0 setting.

FUNC

Select the second function

V/%

Vertical angle /slope angle percentage

⏻

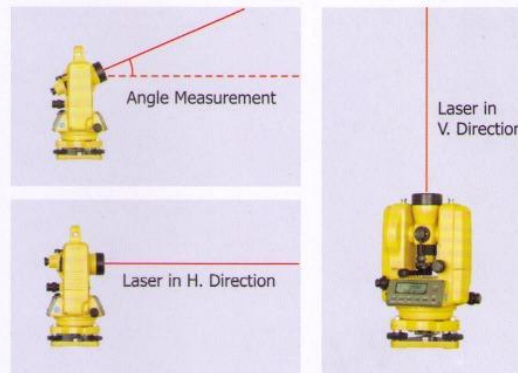
Power switch



SPECIFICATIONS

	ET-02/ET-02L	ET-05/ET-05L	ET-10
TELESCOPE			
Image	Erect		
Magnification	30X		
Effective aperture	45mm		
Resolving power	3"		
Field of view	1' 30'		
Minimum focusing distance	1.4m		
Stadia ratio	100		
Stadia constant	0		
Tube length	157mm		
ANGLE MEASUREMENT			
Reading system	Absolute Encoding		
Diameter of circle(VHz)	79mm		
Minimum reading	1"/ 5" (Selectable)		10"
Accuracy	2 "	5 "	10"
Horizontal angle	Dual	Dual	Dual
Vertical angle	Dual	Single	Single
DISPLAY			
(LCD)Display type	2 sides		
LEVEL SENSITIVITY			
Plate level	30"/2mm(30' per 2mm)		
Circular level	10'/2mm (10' per 2mm)		
AUTO VERTICAL COMPENSATOR			
System	Liquid-electric detection		
Working range	± 3'		
Accuracy	1"		
OPTICAL PLUMMET TELESCOPE			
Image	Erect		
Magnification	3X		
Focusing range	0.5m ~ ∞		
Field of view	5°		
PHYSICAL CHARACTERISTICS			
Operating temperature	-20°C ~ +45°C		
Internal power supply	Rechargeable Ni-H battery/ AA battery		
Voltage	6 VDC		
Operating time	10 hours		
Dimension	L145mm x H318mm x W179mm		
Weight	5.2 kg		

ETL SERIES LASER THEODOLITE



ACCESSORIES



NP-10
AA Battery Case



NB-10
Rechargeable Battery



NC-10
Battery Charger

(EU/US/JP/UK/UL Type chargers available)



NF-10
Solar Filter



NE-10
Diagonal Eyepiece

Mainframe	1x
Rechargeable Battery	1x
Battery Charger	1x
Operation Manual	1x
Carrying Case	1x
Belt for Case	2x
Plummet	1x
Tools Kit	1x



SOUTH

SOUTH SURVEYING & MAPPING INSTRUMENT CO.,LTD.

Add: 5/F, No.8,Jiangong Road, Tian He Software Park, Zhongshan Avenue West, Guangzhou 510665, China

Tel: +86-20-85529099/85524990

Fax: +86-20-85524889/85529089

E-mail: mail@southsurvey.com export@southsurvey.com

http://www.southsurvey.com http://www.southinstrument.com